

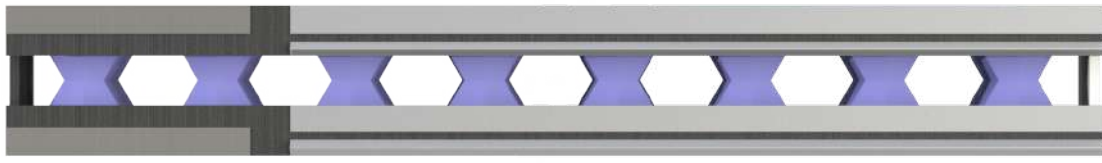
BANKA[®]

GEARING UP SINCE 1977

**METAL
CUTTING
MACHINERY**

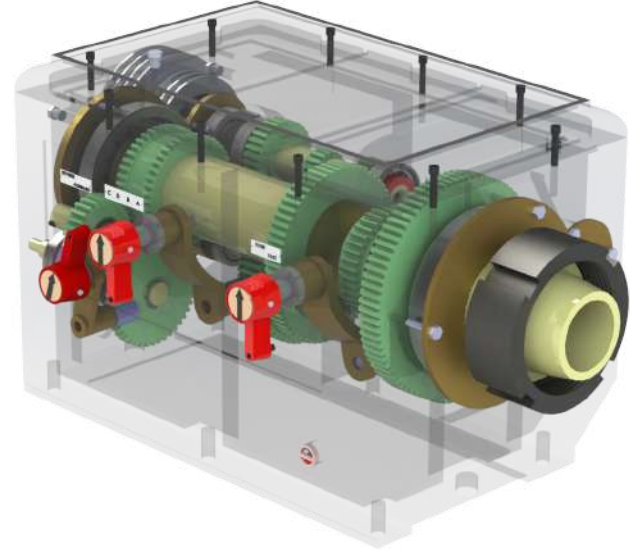
WWW.RAVIMACHINES.COM

Accuracy Tested as per Bureau of Indian Standard.



Bed ways Induction Hardened up to 435 BHN and Precision ground, 25 Grade cast-iron, Rigid Construction, easy chip removable, hyperbolic bridge and hexagonal view.

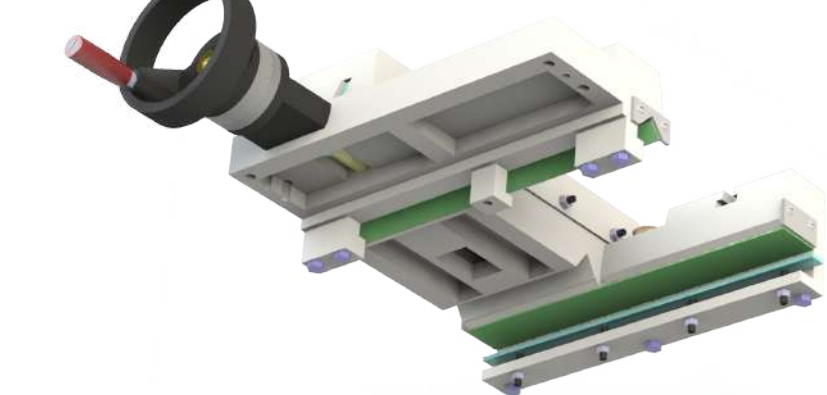
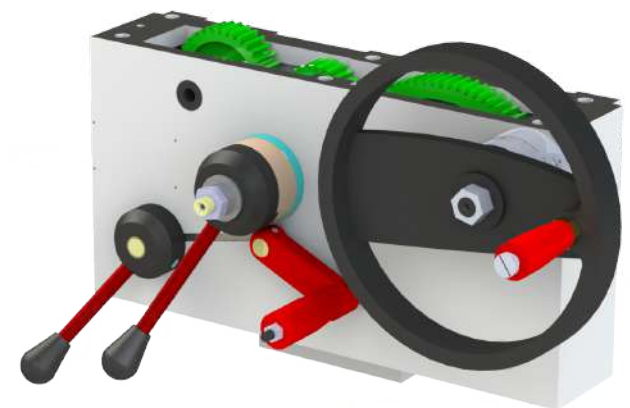
Head Stock Gears, Spline, Shaft and Spindle made from Alloy Steel Material Hardened and ground. Spindle Nose LOO Type and speeds at Geo Metrical Progression ratio.



Gear Box semi-Universal type to cut Metric, T.P.I., D.P., and Module threads. Graduation Dial for Surfacing, Apron, Tailstock and Compound Metric system, micro collar for all screw and nuts.

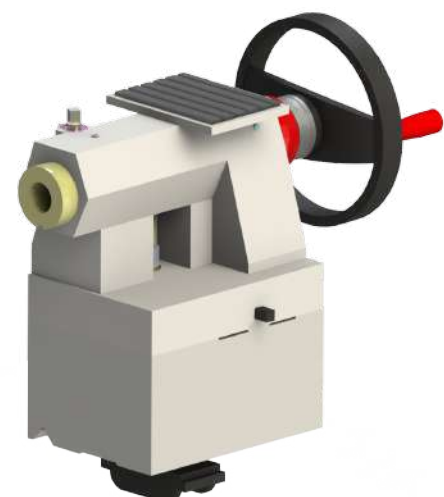


Apron designed to totally enclosed oil bath system and lever type arrangement for automatic feeds.



Turcite B Linear Bering System coating between Carriage and Bed to provide extra cutting strength and longlife accuracy.

The sturdy construction of tailstock with Tang Shank type Harden and ground with scale sleeve is capable of stable accommodation of heavy work.



LATHE MACHINE

MODEL 30



- Height Of Center: 150 mm
- Swing Over Slide: 160 mm
- Spindle Bore: 20 mm
- Spindle Speed: 40-1200
- Admin Between Center: 500 mm
- Bed Length : 3 Feet
- Bed Width: 180 mm
- Sami Universal GearBox
- Weight Approx: 180 kg

MODEL 34



- Height Of Center: 170 mm
- Swing Over Slide: 180 mm
- Spindle Bore: 40 mm
- Spindle Speed: 48-1535
- Admin Between Center: 1000 mm
- Bed Length: 6 Feet
- Bed Width: 240 mm
- Sami Universal GearBox
- Weight Approx: 800 kg

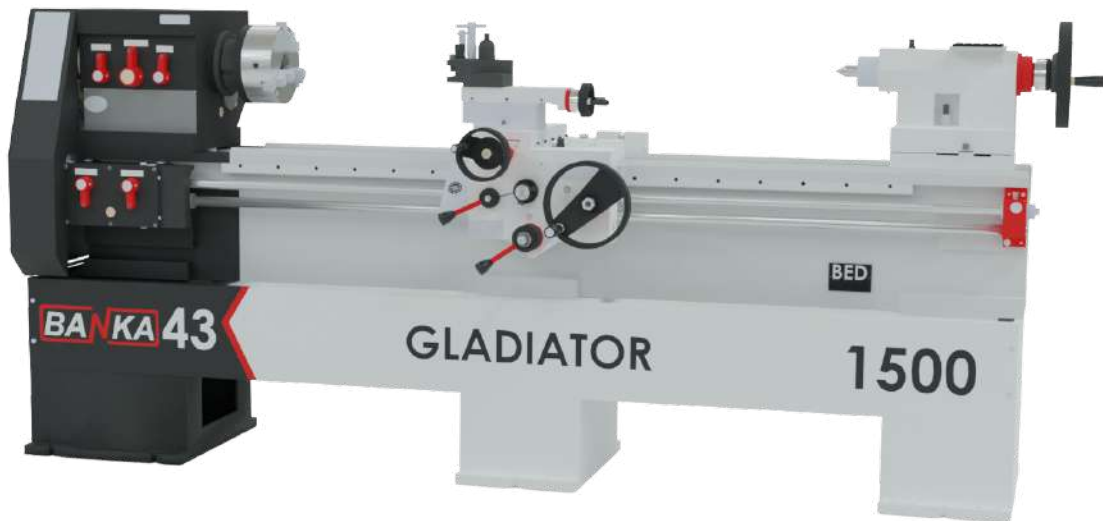
MODEL 40



- Height Of Center: 200 mm
- Swing Over Slide: 240 mm
- Spindle Bore: 51 mm
- Spindle Speed: 48-1535
- Admin Between Center: 1000 mm
- Bed Length: 6 Feet
- Bed Width: 280 mm
- Sami Universal GearBox:
- Weight Approx: 1000 kg

LATHE MACHINE

MODEL 43



- Height Of Center: 215 mm
- Swing Over Slide: 265 mm
- Spindle Bore: 52 mm
- Spindle Speed: 48-1415
- ABC: 1000/1500 mm
- Bed Length: 6/8 Feet
- Bed Width: 305 mm
- Sami Universal GearBox
- Weight Approx: 1200/1400 kg

MODEL 50



- Height Of Center: 250 mm
- Swing Over Slide: 290 mm
- Spindle Bore: 80 mm
- Spindle Speed: 30-1050
- ABC: 1000/1500/2500 mm
- Bed Length: 7/9/12 Feet
- Bed Width: 325 mm
- Sami Universal GearBox
- Weight Approx: 1400/1600/1800 kg

MODEL 60



- Height Of Center: 300/375 mm
- Swing Over Slide: 390/530 MM
- Spindle Bore: 80/100 MM
- Spindle Speed: 30-1050
- ABC: 1500/2500/3000/3500/4000 mm
- Bed Length: 9/12/14/16/18 Feet
- Bed Width: 375 mm
- Sami Universal GearBox
- Extra Third Shaft Apron Motor
- Weight Approx: 1900/2300/2600 2900 / 3500 kg

ALL GEAR

BANKA
GEARING UP SINCE 1977

BIG STONE LATHE



Height Of Center:
510 mm
Spindle Bore:
150 mm
Bed Length:
12,14,16,18,20,22,24 Feet
Spindle Speed:
20-400 RPM
Bed Width:
510 mm
Motor:
10/15 HP
Plano Bed Only

Extra Heavy Duty Radial Drill

Drilling Capacity: 50,63 mm
Taper In Spindle: MT5
Spindle Travel: 315 mm
Spindle Speed: 16 / 25-2000 RPM
Spindle Auto Feeds: 16 / 0.4-3 mm
ARM Length: 1770 mm
Travel Head: 1250 mm
Diameter Column: 350 mm
Box Table: 630x500x500 mm
LxWxH: 2500x1070x2550 mm
Motor: 4 kW
Weight Approx: 3500 kg



3

 **93770 93780**

WWW.RAVIMACHINES.COM

DRILL MACHINE

MODEL 40

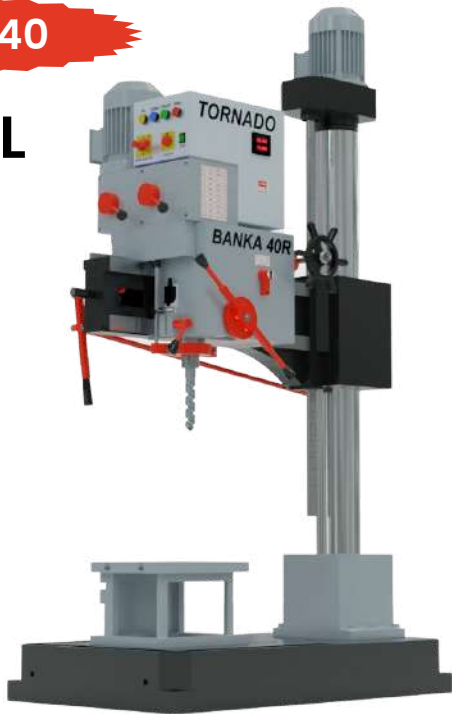
PILLAR



- Drilling Capacity: 40 mm
- Column Dia: 115 mm
- Spindle Hole Taper: MT-4
- Spindle Speeds: 40-2050 RPM
- Spindle Nos. To table Dist. : 620 mm
- Spindle Center To Pillar: 290 mm
- Table Size: 375 mm
- Motor: 2 HP-2 Speed
- Weight Approx: 550 kg

MODEL 40

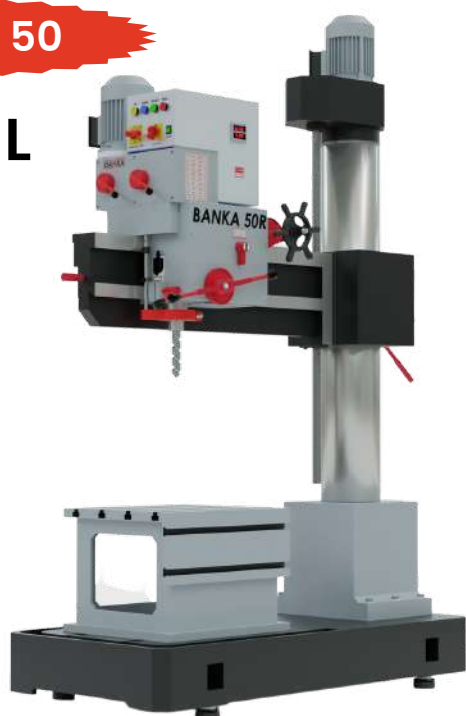
RADIAL



- Drilling Capacity: 40 mm
- Spindle Travel: 170 mm
- Spindle Taper: MT-4
- Spindle Speed: 40-2050 RPM
- Column Diameter: 140 mm
- Distance From Column to Spindle 850
- Spindle Radius 930
- Spindle to Base Distance 1260
- Weight Approx: 850 kg

MODEL 50

RADIAL



- Drilling Capacity: 50 mm
- Spindle Travel: 170 mm
- Spindle Taper: MT-4
- Spindle Speed: 40-2050 RPM
- Column Diameter: 220 mm
- Distance From Column to Spindle 1005
- Spindle Radius 1100
- Spindle to Base Distance 480/2110
- Weight Approx: 1250 kg

CONE PULLEY DRILL MACHINE

BANKA[®]
GEARING UP SINCE 1977



MODEL 13

- Drilling Capacity: 13 mm
- Column Dia: 47 mm
- Spindle Nose Taper: 6-J
- Spindle Speeds: 650-2400 RPM
- Spindle Nos. To table Dist. : 450 mm
- Spindle Center To Pillar: 150 mm
- Table Size: 205 mm
- Motor : 0.5 HP



MODEL 19

- *Drilling Capacity: 19 mm*
- *Column Dia: 74 mm*
- *Spindle Hole Taper: MT-2*
- *Spindle Speeds: 86-3360 RPM*
- *Spindle Nos. To table Dist. : 670 mm*
- *Spindle Center To Pillar: 185 mm*
- *Table Size: 300 mm*
- *Motor: 1 HP*



MODEL 25

- Drilling Capacity: 25 mm
- Column Dia: 90 mm
- Spindle Hole Taper: MT-3
- Spindle Speeds: 100-2650 RPM
- Spindle Nos. To table Dist. : 560 mm
- Spindle Center To Pillar: 206 mm
- Table Size: 318 mm
- Motor: 1 HP

ALL GEAR & CONE PULLEY DRILLING CUM MILLING



MODEL 19

- **Drilling Capacity: 19 mm**
- **Spindle Nose: MT2**
- **Max. Spindle Travel (Drilling Depth): 150 mm**
- **Spindle Speed: 86-3360 RPM**
- **Spindle to base distance: 930 mm**
- **Distance from column to spindle: 185 mm**
- **Cross Slide travel : 500 x 160 mm**
- **Motor: 1HP**
- **Weight Approx: 275 kg**



MODEL 25

- **Drilling Capacity: 25 mm**
- **Spindle Nose: MT3**
- **Max. Spindle Travel (Drilling Depth): 250 mm**
- **Spindle Speed: 73-1800 RPM**
- **Spindle to base distance: 1050 mm**
- **Distance from column to spindle: 250 mm**
- **Cross Slide travel : 600 x 200 mm**
- **Motor: 1HP**
- **Weight Approx: 300 kg**



MODEL 40

- **Drilling Capacity: 40 mm**
- **All Gear and Auto Feed**
- **Table Size : 1000 x 250MM (Grinding)**
- **Spindle Nose: MT4**
- **Max. Spindle Travel (Drilling Depth): 170 mm**
- **Spindle Speed: 40-2050 RPM**
- **Spindle to base distance: 550 mm**
- **Distance from column to spindle: 300 mm**
- **Cross Slide travel: 525 x 300 mm**
- **Motor: 2HP (2-Speed)**
- **Weight Approx: 650 kg**

MILLING MACHINE



All-Round 3

- Table Size 1270 x 254mm
- T Slot 3 x 16 mm
- X-Axis 760 mm
- Travel Y-Axis 400 mm
- Z-Axis 405 mm
- Spindle step number 16
- Spindle Speed 70-4620 rpm
- Quill Feed 0.04,0.08,0.15
- Power 3 hp
- Weight 1450 kg.



All-Round 4

- Table Size 1370 x 254 mm
- T Slot 3 x 16 mm
- X-Axis 860 mm
- Travel Y-Axis 400 mm
- Z-Axis 405 mm
- Ram Travel 580 mm
- Spindle Taper R8 (NT30-optional)
- Quill Travel 127
- Spindle Nose to Table 0-440 mm
- Weight 1500 kg.



All-Round 4+

- Table Size 1370 x 254mm
- T Slot 3 x 16 mm
- X-Axis 860 mm
- Travel Y-Axis 400 mm
- Z-Axis 405 mm
- Ram Travel 580 mm
- Spindle Taper R8 (NT30-optional)
- Weight 1550 kg.

SLOTTING MACHINE

6-INCH



- Model Type: Slotting Machine – 6"
- Category: Workshop Machine
- Helical Gears: silent & smooth operation & reduces noise
- Motor Pulley: The life of a motor pulley is 3 years
- Colour: Black & OffWhite With Red
- Stroke Capacity: 6" – 150mm
- Electricals : 1 HP – 1440 RPM – 3 PHASE
- Weight: 350 Kg
- Rotary Table 8 inch

10-INCH



- Model Type: Slotting Machine – 10"
- Motor Pulley: The life of a motor pulley is 3 years
- Helical Gears: silent & smooth operation & reduces noise
- Stroke Capacity: 10" – 250 mm
- Colour: Black & OffWhite With Red
- Electricals : 2 HP – 1440 RPM – 3 PHASE
- Weight: 500Kg
- Rotary Table 8/10 inch

12-INCH



- Model Type: Slotting Machine – 12"
- Motor Pulley: The life of a motor pulley is 3 years
- Helical Gears: silent & smooth operation & reduces noise
- Stroke Capacity: 12" – 300 mm
- Colour: Black & OffWhite With Red
- Electricals: 2 HP – 1440 RPM – 3 PHASE
- Weight: 650Kg
- Rotary Table 10/12 inch

BANDSAW MACHINE

200 MM



- Model Type: Semi Hydraulic
- Category: Metal Cutting Machine
- Colour: Black & Grey Combo
- Cutting capacity: 200 mm
- Blade Size : 3000 x 27 x 0.9 (mm)
- Electricals: 1 HP
- Cutting Stroke Capacity: Round 200mm
- Square 175 x 175, Casting, EN8,
- WPS Hard materials

250 MM



- Model Type: Semi Hydraulic
- Category: Metal Cutting Machine
- Colour: Black & Grey Combo
- Cutting capacity: 250 mm
- Blade Size : 3000 x 27 x 0.9 (mm)
- Electricals: 2 HP
- Cutting Stroke Capacity: Round 250mm
- Square 225 x 225, Casting, EN8,
- WPS Hard materials

350 MM



- Model Type: Semi Hydraulic
- Category: Metal Cutting Machine
- Colour: Black & Grey Combo
- Cutting capacity: 350 mm
- Blade Size : 3760 x 27 x 0.9 (mm)
- Electricals: 3 HP
- Cutting Stroke Capacity: Round 350mm
- Square 325 x 325, Casting, EN8,
- WPS Hard materials

HYDRAULIC PRESS MACHINE

BANKA[®]
GEARING UP SINCE 1977



- Hydraulic Press : Power Operated
- Capacity in ton : 15
- Stroke in Power Operate (mm) : 170
- Valve System : Double Valve Technology
- Cylinder : Thread Type
- Electric Motor in HP : 2
- Weight : 360 kg.



- Hydraulic Press : Power Operated
- Capacity in ton : 25
- Stroke in Power Operate (mm) : 200
- Valve System : Double Valve Technology
- Cylinder : Thread Type
- Electric Motor in HP : 2
- Weight : 475 kg.



- Hydraulic Press : Power Operated
- Capacity in ton : 40
- Stroke in Power Operate (mm) : 200
- Valve System : Double Valve Technology
- Cylinder : Thread Type
- Electric Motor in HP : 3
- Weight : 625 kg.



HYDRAULIC PRESS MACHINE

BANKA[®]
GEARING UP SINCE 1977



- Hydraulic Press : Power Operated
- Capacity in ton : 60
- Stroke in Power Operate (mm) : 200
- Valve System : Double Valve Technology
- Cylinder : Thread Type
- Electric Motor in HP : 3
- Weight : 1050 kg.



- Hydraulic Press: Power Operated
- Capacity in ton: 75
- Stroke in Power Operate (mm): 200
- Valve System: Double Valve Technology
- Cylinder: Thread Type
- Electric Motor in HP : 3
- Weight : 1250 kg.



- Hydraulic Press: Power Operated
- Capacity in ton: 100
- Stroke in Power Operate (mm): 200
- Valve System: Double Valve Technology
- Cylinder : Thread Type
- Electric Motor in HP: 5
- Weight : 1600 kg.



SURFACE GRINDER



MODEL 450

- MODEL NO SCOUR 450
- Table Size 450 x 230mm
- Longitudinal table Travel 500MM
- Cross Table Travel 250 MM
- Grinding Capacity: L x W x H 450 x 230 x 330mm
- T-slot 12 x 1
- Spindle motor 1.5Hp
- Lifting motor 0.25 HP
- Grinding Wheel size (D x W x D) 200 x 16 x 32 mm
- Spindle Speed 2850 r/min
- All Over Dimensions- MM 1200 x 1050 x 1500
- Coolant Motor 0.5HP



MODEL 500

- MODEL NO SCOUR 500
- Table Size 550 x 250mm
- Longitudinal table Travel 520MM
- Cross Table Travel 270 MM
- Grinding Capacity: L x W x H 500 x 250 x 330mm
- T-slot 12 x 1
- Spindle motor 1.5Hp
- Lifting motor 0.25 HP
- Grinding Wheel size (D x W x D) 200 x 16 x 32 mm
- Spindle Speed 2850 r/min
- All Over Dimensions- MM 11250 x 1200 x 1700
- Coolant Motor 0.5HP



MODEL 600

- MODEL NO SCOUR 600
- Table Size 600 x 300mm
- Longitudinal table Travel 620MM
- Cross Table Travel 325 MM
- Grinding Capacity: L x W x H 600 x 300 x 300mm
- T-slot 14 x 1
- Spindle motor 2 Hp
- Lifting motor 0.25 HP
- Grinding Wheel size (D x W x D) 200 x 16 x 32 mm
- Spindle Speed 2850 r/min
- All Over Dimensions- MM 1900 x 1200 x 1900
- Coolant Motor 0.5HP

OTHER MACHINE



- BELT & DISC SANDER
- BELT SIZE:- 150 X 1200 mm
- BELT SIZE:- 6" X 48" inch
- DISC DIAMETER:- 10" (250mm)
- MOTOR:- 1 HP (1440 RPM)
- APPROX WEIGHT:- 65 kg

MODEL 305



- MODEL NO 3 in 1 / 305
- Shear, Brake & Roll
- Bed Width : 305 mm
- Max. Shearing Thick - 1.0mm
- Max. Bending Thick - 1.0mm
- Max. Rolling Thick - 1.0mm
- Max. Bending Angle - 90°
- Min. Rolling \varnothing - 39mm
- Packing Dimension
- 490x330x420mm

MODEL 610



- MODEL NO 3 in 1 / 610
- Shear, Brake & Roll
- Bed Width : 610 mm
- Max. Shearing Thick - 1.0mm
- Max. Bending Thick - 1.0mm
- Max. Rolling Thick - 1.0mm
- Max. Bending Angle - 90°
- Min. Rolling \varnothing - 39mm
- Packing Dimension
- 840x410x660mm

BENCH GRINDER

0.5 HP



- H.P. 0.5
- K.W. 0.37
- WHEEL SIZE 6"X3/4"
- PHASE 3
- VOLTS 440
- RPM 2800
- H.P. 0.5
- K.W. 0.37
- WHEEL SIZE 6"X3/4"
- PHASE 1
- VOLTS 230
- RPM 2800

0.75 HP



- H.P. 0.75
- K.W. 55
- WHEEL SIZE 8"X3/4"
- PHASE 3
- VOLTS 440
- RPM 2800
- H.P. 0.75
- K.W. 55
- WHEEL SIZE 8"X3/4"
- PHASE 1
- VOLTS 230
- RPM 2800

POLISHER
GRINDER & DRILL



- H.P. 0.25
- K.W. 0.18
- RPM 2800
- PHASE 3
- SPINDLE LENGHT 100
- SPINDLE DIAMETER 22
- WHEEL SIZE 100X20X19.05
- CHUCK SIZE 3/8 - 24 UNF

WELDING MACHINE

B 200



- Input Voltage 1 PH AC 220V +- 10%
- Input Power 4.5 KVA
- Max Output Current 160
- Duty Cycle @40°C 60%
- No Load Voltage (V) 58
- Protection & Insulation IP 21 & F
- Dimension (MM) Approx 395 x 153 x 301

B 250



- Input Voltage 2PH:60-560V
- Input Power 7.80/14
- Max Output Current 200
- Duty Cycle @40°C 60%
- No Load Voltage (V) 75/220
- Protection & Insulation IP 21 & F
- Dimension (MM) Approx 457 x 228 x 373

B 300



- Input Voltage 3 PH AC 380V +- 10%
- Input Power 11.89 KVA
- Max Output Current 300
- Duty Cycle @40°C 60%
- No Load Voltage (V) 76
- Protection & Insulation IP 21 & F
- Dimension (MM) Approx 480 x 230 x 420

LATHE

ACCESSORIES



**KEY WAY ATTACHMENT
(DRILL CHUCK)**



**KEYWAY ATTACHMENT
(4 INCH CHUCK)**



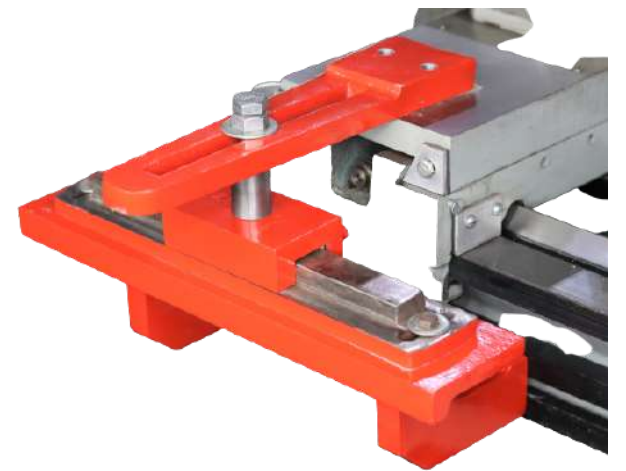
KEY WAY JAW



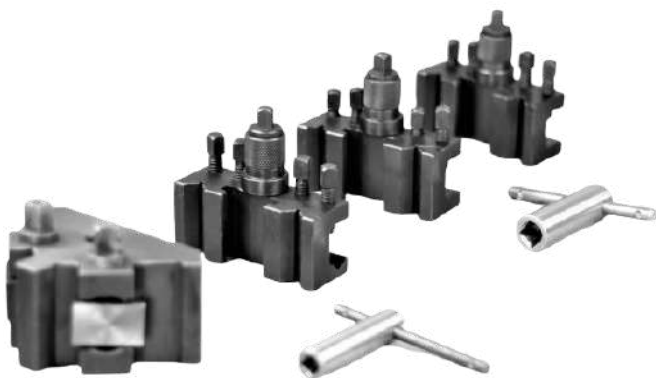
TOOL POST GRINDING



COOLANT PUMP FITTINGS



**TAPER TURNING
ATTACHMENT**



**QUICK CHANGE
TOOL POST**



**SQUARE
TOOL POST**



**REAR
TOOL POST**

ACCESSORIES



CNC CUTTING TOOLS



KNURLING TOOLS



CUTTING TOOLS



STEADY REST



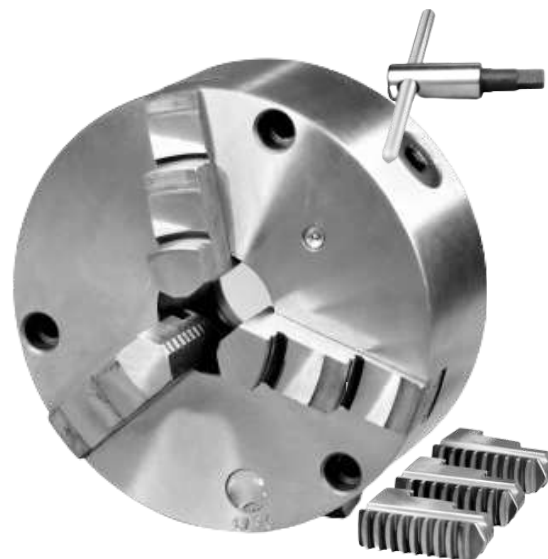
FOLLOW REST



DOG CARRIERS
STRAIGHT & BEND



TAILSTOCK CHUCK



TRUE CHUCK



DOG CHUCK

ACCESSORIES



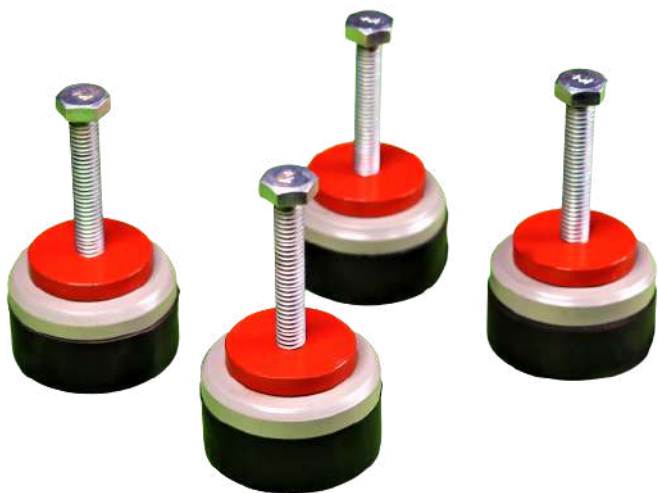
REVOLVING CENTER



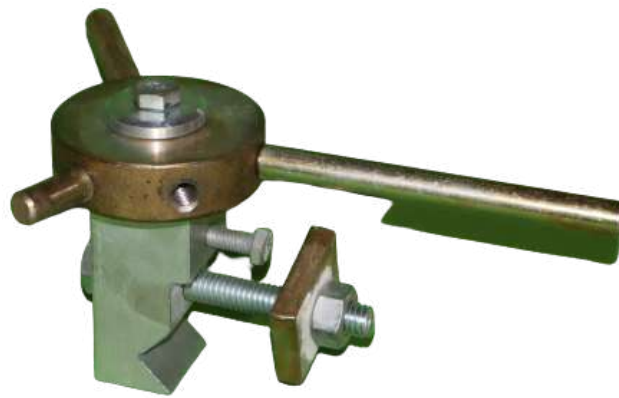
MACHINE LAMP



PIPE CENTER



VIBRATION DUMPING PAD



CARRIAGE STOPPER
FOR TURNING



ENGINEERING TRY SQUARE SET



SURFACE GAUGE

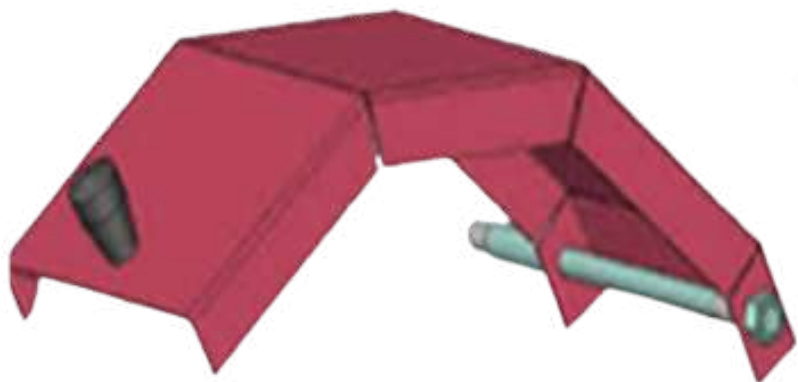


MICROMETER



MAGNETIC STAND
WITH DIAL GAUGE

ACCESSORIES



CHUCK GUARD



DEGREE PROTECTOR



FIRE PROOF COVER



FIGURE PUNCH SET



SCREW PITCH GAUGE



FEELER GAUGE

ONLY FOR TRAY



TOOLS TRAY



SPLASH GUARD



DRO

DRILL ACCESSORIES



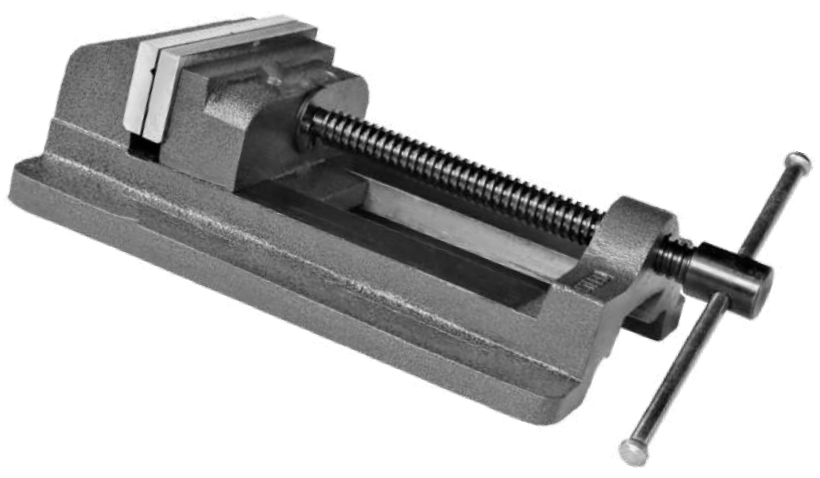
**DRILL BIT SHANK
GRIND & SHARPENING**



**DRILL CHUCK
KEY LESS**



**DRILL CHUCK
WITH KEY**



DRILL VICE



**HIGH SPEED STEEL
DRILL BIT SETS**



**HAND DRILL STAND
WITH DRILL VICE**



**END MILL
CUTTER SET**



DRILL HAND REMER



**SPLIT SLEEVE
(TAPS)**

DRILL

ACCESSORIES



DRILL CHUCK ARBOR



MILLING DRILLING MT-4
COLLECT ADAPTER



EXTENTION SOCKET



U DRILL BAR



WOODRUFF CUTTER



CROSS SLIDE ROTATING



TAPS



QUICK CHANGE CHUCKS



Q.C. CHUCKS COLLET

MILLING ACCESSORIES



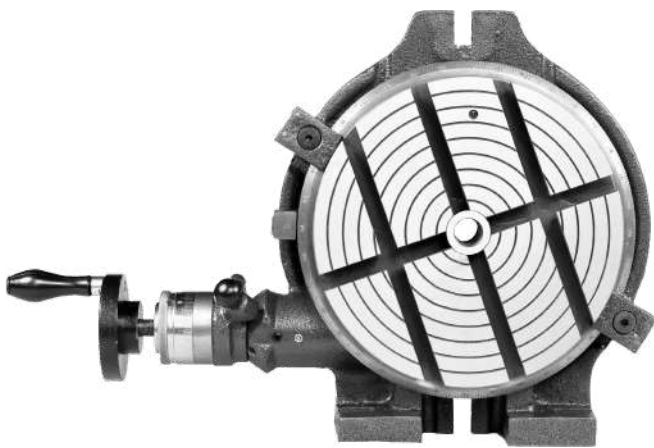
MILLING VISE SEWING



MILLING VISE PLAIN



DRO



ROTARY TABLE



ER FACE CUTTER



FACE CUTTER



END MILL CUTTER SET



X SLIDE AUTO-FEED ATTACHMENT



ER COLLECTS SET

MILLING

ACCESSORIES



R8 COLLET ADAPTOR



R8 DRILL CHUCK ARBOR



R8 STUB MILLING ARBOR



ISO 30 COLLET ADAPTOR



ISO 30 REDUCTION SOCKET



ISO 30 DRILL CHUCK ARBOUR



ISO 30 STUB ARBOUR



EDGE FINDER



ER TAP COLLET

SLOTTING ACCESSORIES



TOOL BAR SET

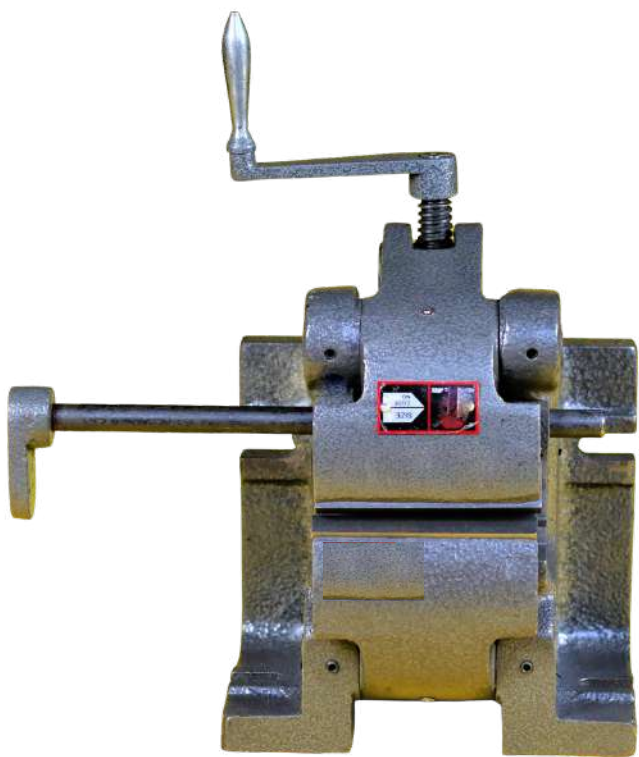


OIL CUP



ROTARY TABLE

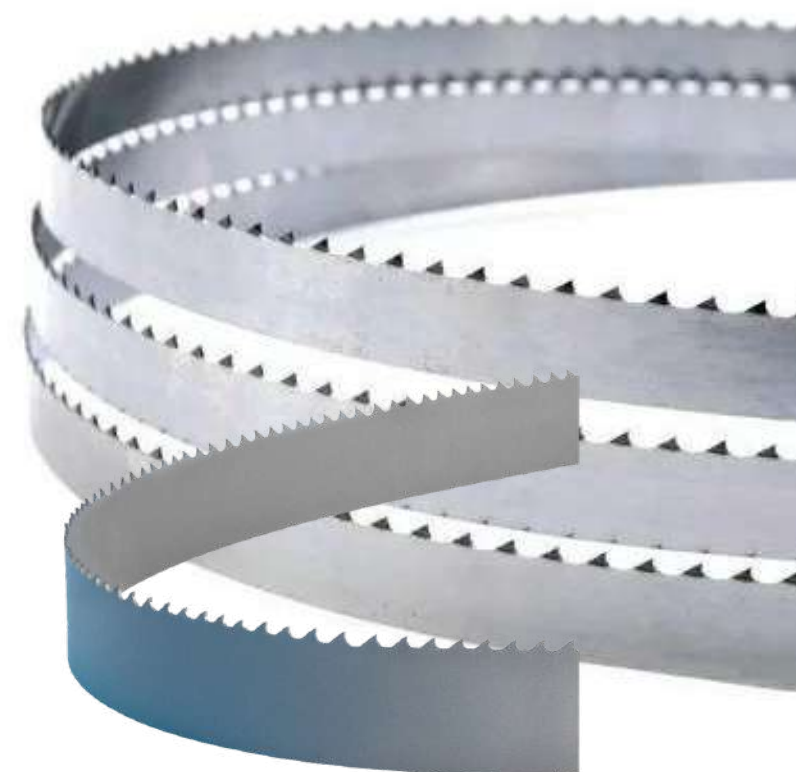
BANDSAW ACCESSORIES



SELF CENTERING



BAR STAND



BLADE

GENERAL ACCESSORIES

BANKA
GEARING UP SINCE 1977



HAND DRILL



DISC GRINDER



BREAKER MACHINE



BLOWER



CUT-OFF GRINDER



PLANET POWER CUTTING



**HAND OPERATED
MANUAL PALLET TRUCK**



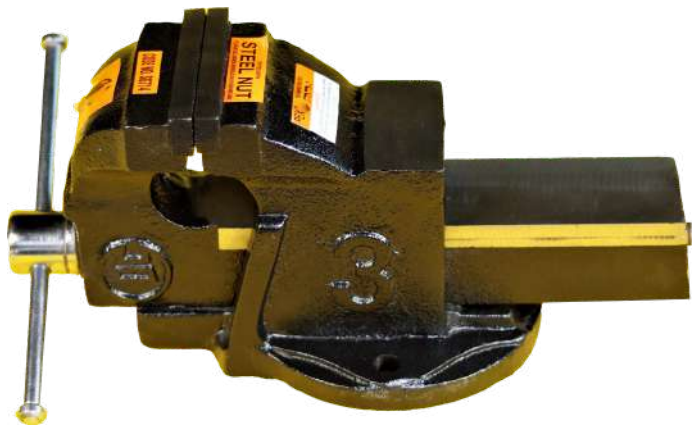
TAPPING MACHINE



FLEXIBLE SHAFT GRINDER

GENERAL ACCESSORIES

BANKA
GEARING UP SINCE 1977



BENCH VICE



DRILL BIT RE-SHARPENER



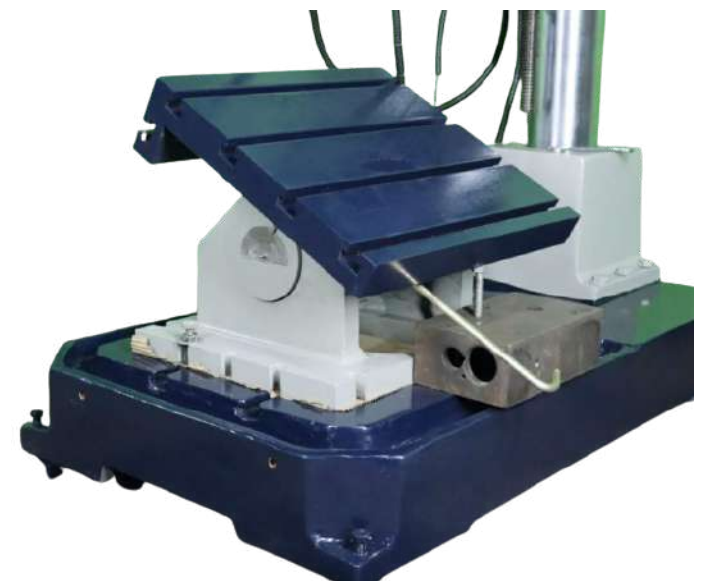
**AIR
COMPRESOR**



MOTOR



REVERSE FORWARD SWITCH



TILTING TABLE



TOOL BEG



PLIERS



HAMMER



RING SPANNER



FIX SPANNER



T TYPE SPANER



HACKS O FRAME



VICE GRIP PLIER



PIPE SPANER



ALLEN SPANER



SCREW DRIVER



TESTER



PIN PUNCH



RIDBURR



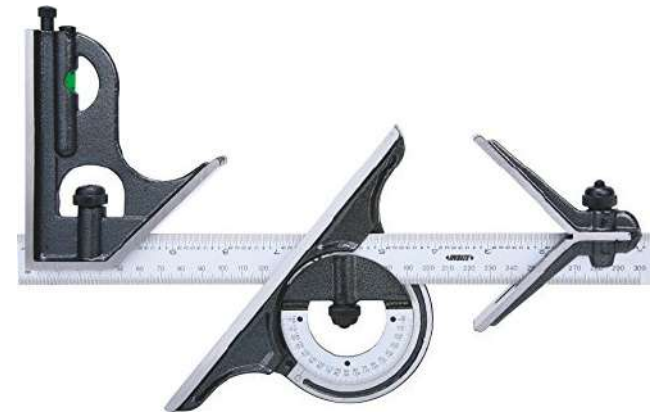
BENCH GRINDER WHEEL



DIGITAL CALIPER



DEPTH MICROMETER



COMBINATION SQUARE



DIAL BORE GAUGE



0-100MM BLOCK LEVEL



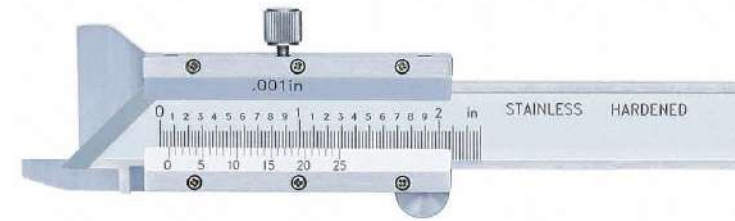
TORQUE WRENCH



SCALE



MEASURE TAPE



CHAMFER GAGE



ALUMINUM FILES



CALIPER



C - CLAMP



ROLLER BURNISHING TOOL



MAGNETIC V BLOCKS



EMERY STONE 109

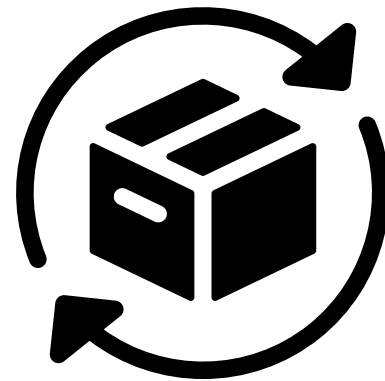
Free Delivery



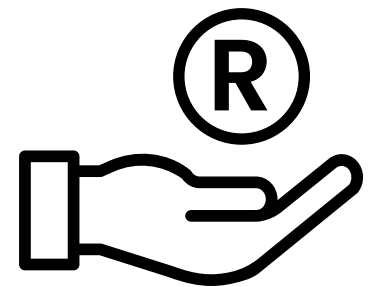
3 Year Warranty



15 Day Return



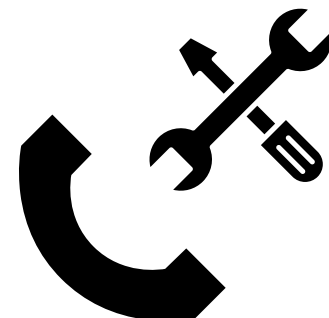
**100% Money Back
Guarantee**



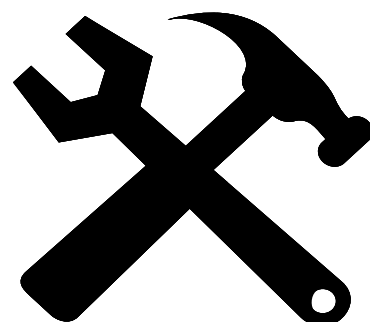
Carefully Packing



**After Sales
Support**



**Maintenance
Program**



CONTACT US



+ 91 93770 93780



+ 91 70468 11811



sales@bankaindia.com



www.ravimachines.com

CHECK GOOGLE REVIEWS BEFORE BUY

OUR SOCIAL MEDIA



Office

"Banka" Street No. 2, Samrat Industrial Area
Main Road, Gondal Rd, Rajkot, Gujarat 360004



Workshop

Banka Machine Workshop, Dharti Agro Gate,
Gondal Rd, Shapar - Rajkot, Gujarat 360024